



**Limited Edition Mark Martin**

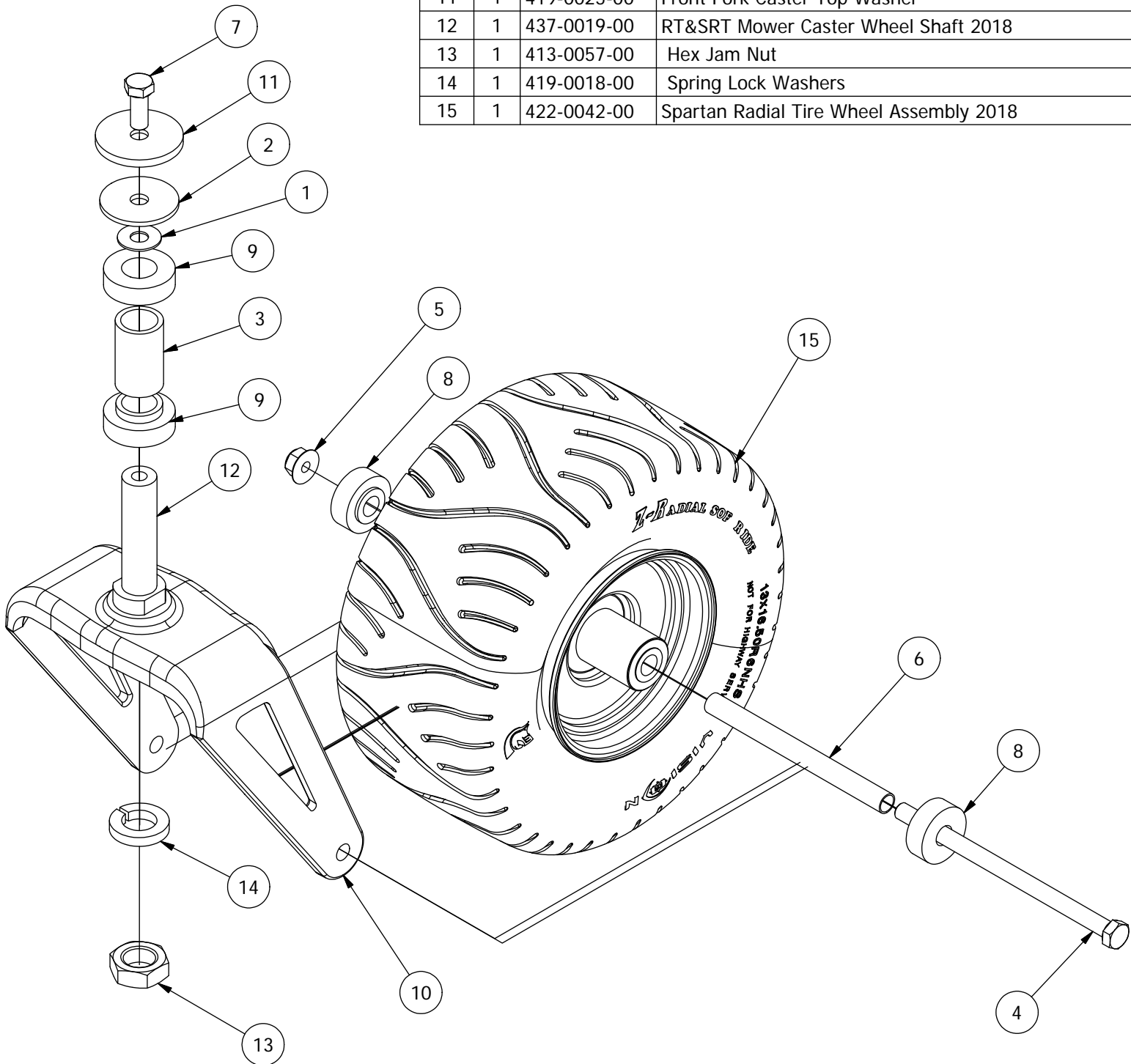
**SRT Parts Manual 2020**

# TABLE OF CONTENTS

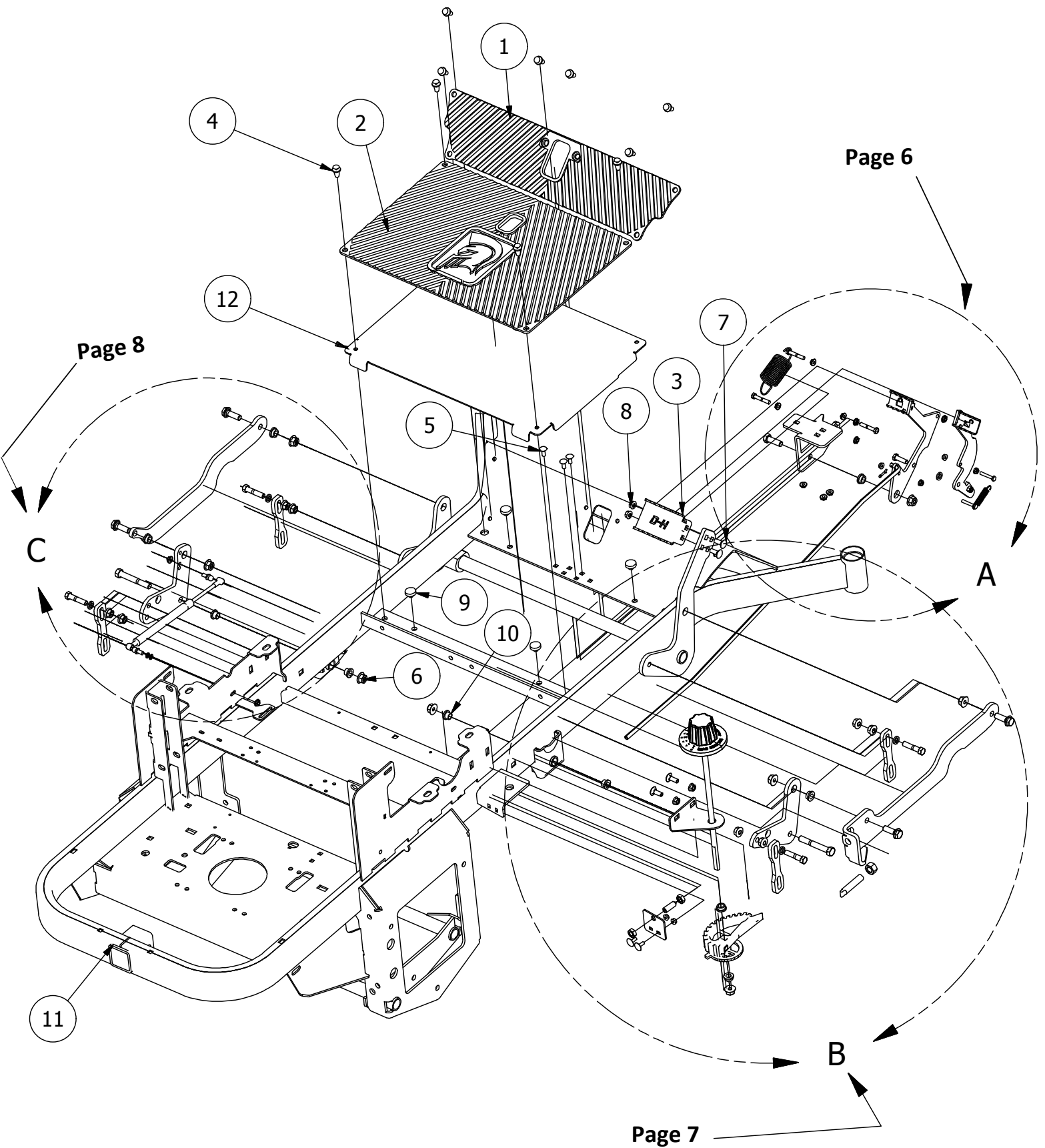
<b>FRONT FORK</b> .....	<b>3</b>
<b>BRAKE, FLOORBOARD, AND HEIGHT INDICATOR ASSEMBLY</b> .....	<b>4-8</b>
BRAKE ASSEMBLY .....	6
HEIGHT INDICATOR ASSEMBLY .....	7-8
<b>BATTERY AND SEAT SUSPENSION ASSEMBLY</b> .....	<b>9-10</b>
<b>SEAT BASE ASSEMBLY</b> .....	<b>11-12</b>
<b>DRIVE ARM ASSEMBLY</b> .....	<b>13-14</b>
<b>GAS TANK ASSEMBLY</b> .....	<b>15-16</b>
<b>ROPS AND PUMP IDLER ASSEMBLY</b> .....	<b>17-19</b>
PUMP IDLER ASSEMBLY .....	19
<b>TRANSMISSION ASSEMBLY</b> .....	<b>20-21</b>
<b>DECK ASSEMBLIES</b> .....	<b>22-30</b>
61” DECK ASSEMBLY 1 .....	22-23
61” DECK ASSEMBLY 2 .....	24-25
72” DECK ASSEMBLY 1 .....	26-27
72” DECK ASSEMBLY 2 .....	28-29
DECK SPINDLE .....	30
<b>VANGUARD 36HP ENGINE</b> .....	<b>31</b>
<b>VANGUARD W/ OIL GUARD ENGINE</b> .....	<b>32-33</b>
<b>DECALS</b> .....	<b>34-35</b>

# Front Fork Assembly

Front Fork Assembly			
ITEM	QTY	PART NUMBER	DESCRIPTION
1	1	419-0002-00	1/2 FENDER WASHER 1-1/4" OD ZINC
2	1	426-0006-00	Mower Caster Shaft Washer
3	1	425-0011-00	Mower Bearing Retainer Spacer
4	1	418-0003-00	1/2-13 X 8-1/2 HEX C/S GR 5 ZINC YELLOW
5	1	413-0002-00	1/2-13 NYLON INSERT FLANGE LOCKNUT ZC YELLOW
6	1	425-0010-00	Mower Caster Fork Wheel Spacer
7	1	418-0006-00	1/2-20 X 1-1/4 HEX C/S GR 5 ZINC
8	2	410-0014-00	Mower Caster Wheel Bearing
9	2	410-0006-00	Mower Caster Shaft Bearing
10	1	423-0001-00	RT&SRT Caster Wheel Fork 2018
11	1	419-0025-00	Front Fork Caster Top Washer
12	1	437-0019-00	RT&SRT Mower Caster Wheel Shaft 2018
13	1	413-0057-00	Hex Jam Nut
14	1	419-0018-00	Spring Lock Washers
15	1	422-0042-00	Spartan Radial Tire Wheel Assembly 2018

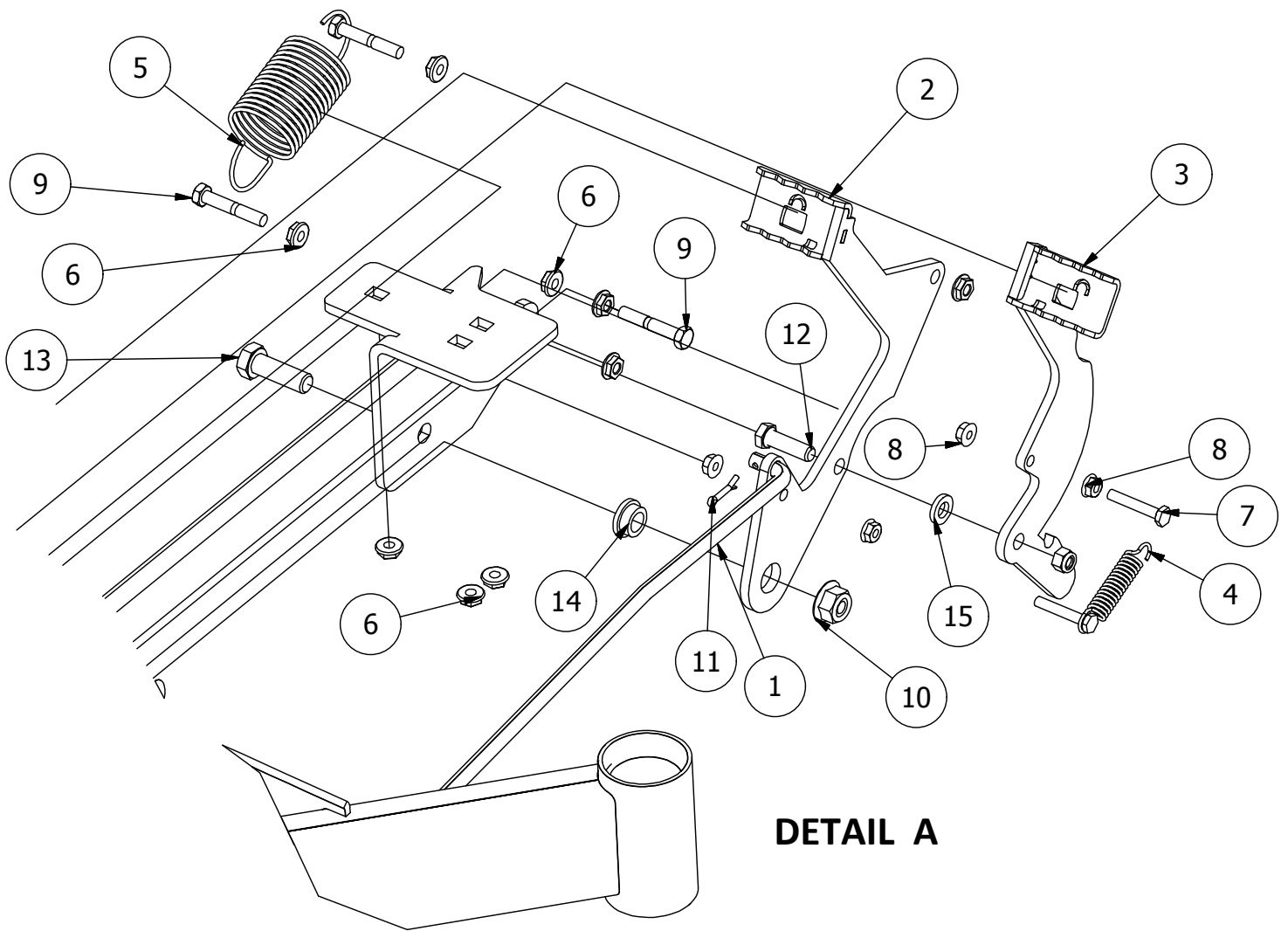


# Brake, Floorboard, and Height Indicator Assembly



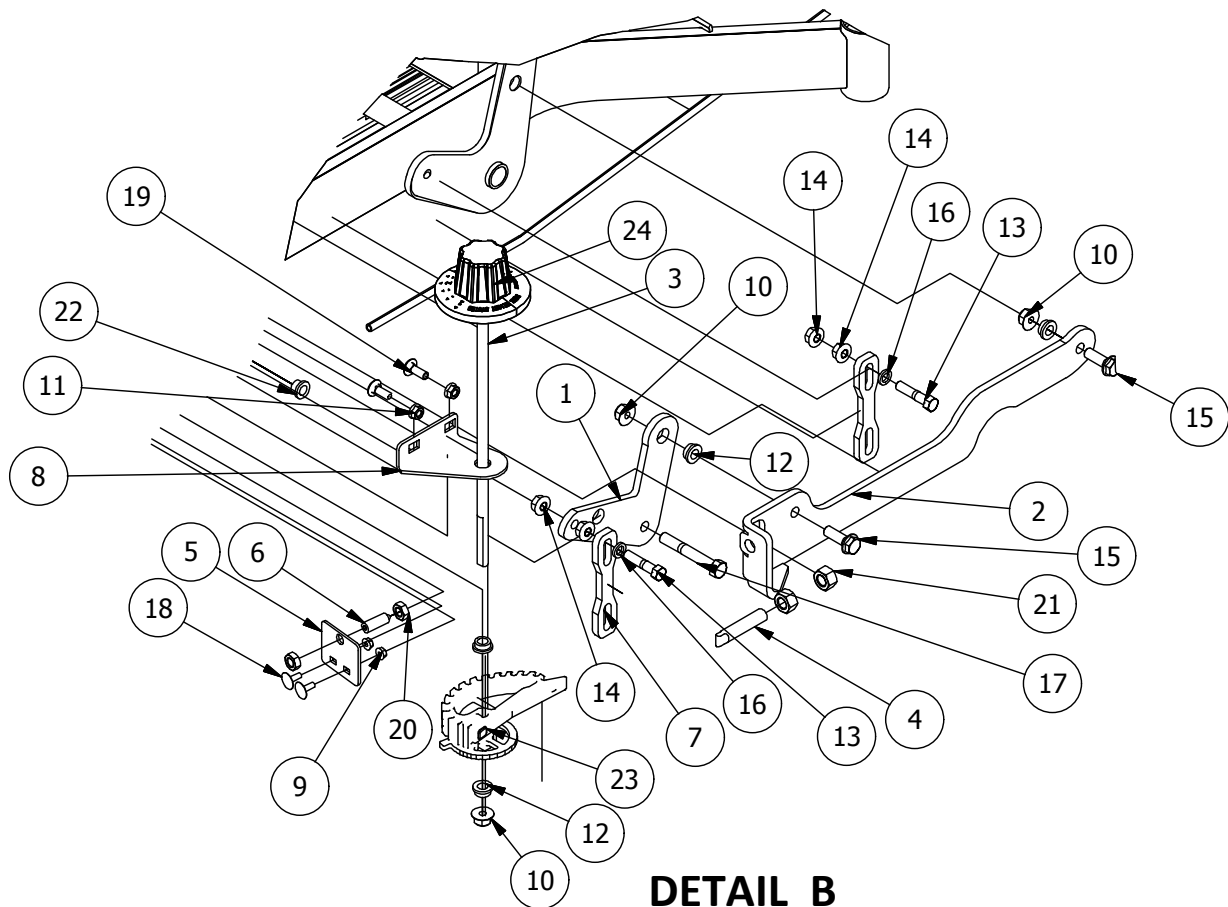
Floorboard Parts List

ITEM	QTY	PART NUMBER	DESCRIPTION
1	1	481-0005-00	2017 Mower Rubber Foot Rest Mat Except for RZ
2	1	481-0006-00	2017 Mower Logo Floor Mat Except for RZ
3	1	439-0059-00	Mower Deck Height Foot Pedal
4	10	414-0002-00	8MM PUSH TYPE RETAINER NYLON BLACK
5	3	418-0008-00	5/16-18 X 3/4 CARRIAGE BOLT ZINC
6	8	413-0002-00	1/2-13 NYLON INSERT FLANGE LOCKNUT ZC YELLOW
7	2	418-0045-00	3/8-16 X 1 CARRIAGE BOLT ZINC YELLOW GR8
8	4	413-0004-00	3/8-16 HEX FLANGE NUT W/SERR ZINC
9	4	429-0002-00	Rubber Bumper
10	4	410-0010-00	1/2" ID X 5/8" OD X 1/2" LENGTH FLANGE BUSHING
11	1	490-0008-00	Mower SRT Frame Assembly
12	1	439-0007-00	Mower Floorboard



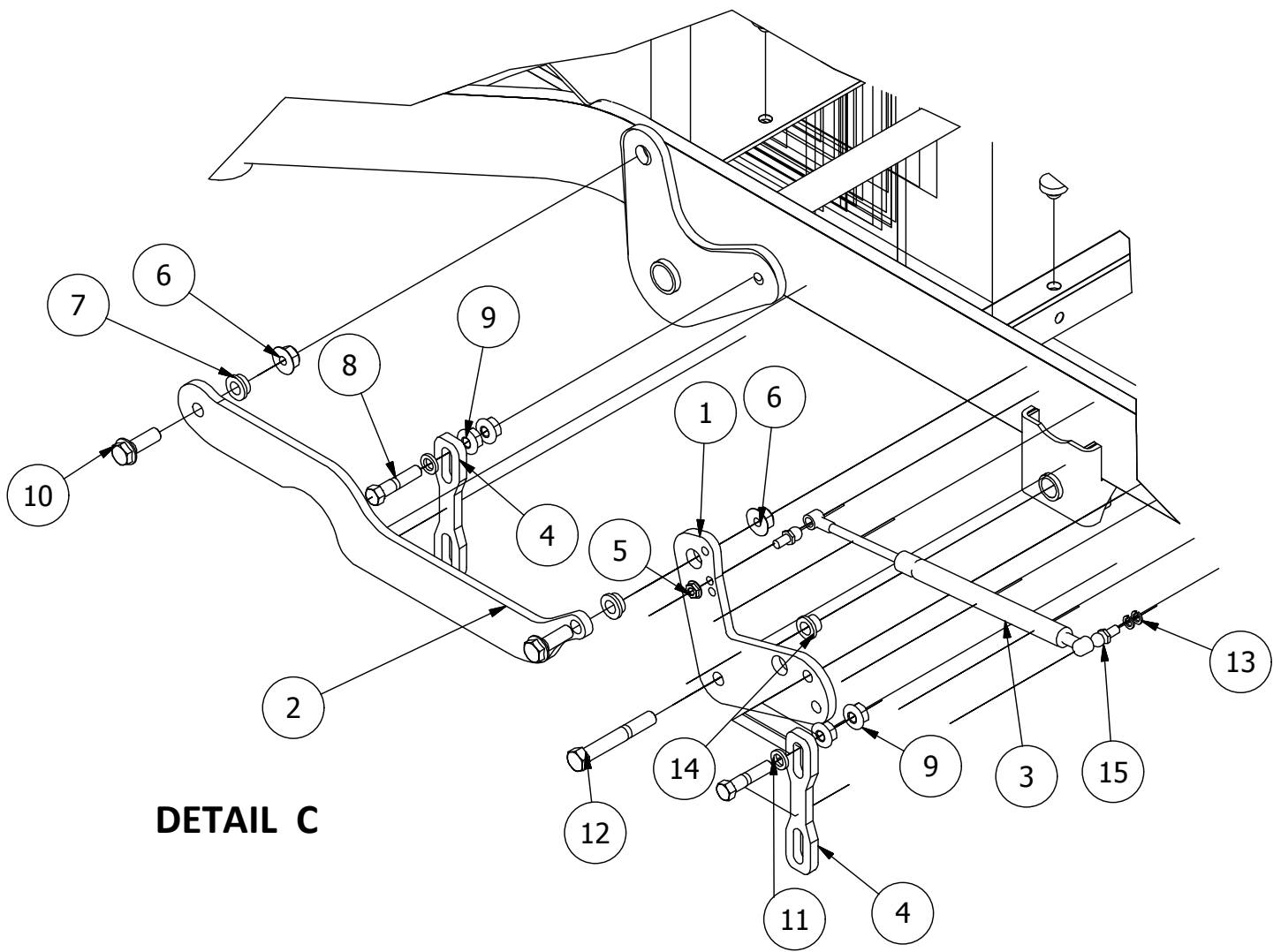
**DETAIL A**

Brake Parts List			
ITEM	QTY	PART NUMBER	DESCRIPTION
1	1	435-0004-00	MOWER BRAKE LINKAGE
2	1	490-0016-00	Mower Brake Lock Lever Assembly
3	1	490-0017-00	Mower Brake Unlock Lever Assembly
4	1	434-0003-00	Brake Pedal Release Spring
5	1	434-0002-00	Brake Pedal Tension Spring
6	13	413-0006-00	5/16-18 HEX FLANGE NUT W/SERR ZINC
7	2	418-0029-00	1/4-20 X 1-1/4 HEX C/S GR 2 ZINC
8	6	413-0023-00	1/4-20 HEX FLANGE NUT W/SERR ZINC
9	3	418-0027-00	5/16-18 X 1-3/4 HEX C/S GR 2 ZINC
10	8	413-0002-00	1/2-13 NYLON INSERT FLANGE LOCKNUT ZC YELLOW
11	1	420-0001-00	1/8 X 3/4 COTTER PIN ZINC
12	1	418-0030-00	3/8-16 X 1-1/4 HEX C/S GR 2 ZINC
13	1	418-0028-00	1/2-13 X 1-1/2 HEX C/S GR 2 ZINC
14	7	410-0009-00	1/2" ID X 3/4" OD X 3/8" LENGTH FLANGE BUSHING
15	1	419-0015-00	3/8" ID X 3/4" OD X 1/8" THK BRONZE WASHER



**DETAIL B**

Height Indicator (Detail B) Parts List			
ITEM	QTY	PART NUMBER	DESCRIPTION
1	1	431-0004-00	Deck Height Brkt Right side
2	1	435-0008-00	Mower Deck Height Arm Right Link
3	1	437-0003-00	Mower Deck Height Selector Shaft
4	1	444-0001-00	Mower HEIGHT SELECTOR CAM PIN
5	1	426-0004-00	Mower Detent Spring Plunger Mounting Plate
6	1	434-0006-00	Deck Height Detent Spring Plunger
7	2	435-0007-00	Mower Deck Link
8	1	439-0074-00	Mower Deck Height Indicator Rod Bracket
9	2	413-0023-00	1/4-20 HEX FLANGE NUT W/SERR ZINC
10	3	413-0002-00	1/2-13 NYLON INSERT FLANGE LOCKNUT ZC YELLOW
11	2	413-0004-00	3/8-16 HEX FLANGE NUT W/SERR ZINC
12	3	410-0009-00	1/2" ID X 3/4" OD X 3/8" LENGTH FLANGE BUSHING
13	2	418-0046-00	7/16-14 X 2 HEX C/S GR 5 ZINC YELLOW
14	4	413-0011-00	7/16-14 HEX FLANGE NUT W/SERR ZINC YELLOW
15	1	418-0047-00	1/2-13 X 1-1/2 HEX FLANGE BOLT ZINC YELLOW
16	1	419-0010-00	.443 ID X .750 OD X .125 THK NYLON BLACK
17	1	418-0042-00	1/2-13 X 3-1/2 HEX C/S GR 5 ZINC YELLOW
18	2	418-0052-00	1/4-20 X 3/4 CARRIAGE BOLT ZINC
19	2	418-0053-00	3/8-16 X 1 CARRIAGE BOLT ZINC
20	2	413-0037-00	1/2-13 HEX JAM NUT ZINC
21	1	413-0048-00	5/8-11 HEX NUT ZINC YELLOW
22	1	410-0010-00	1/2" ID X 5/8" OD X 1/2" LENGTH FLANGE BUSHING
23	1	490-0045-00	Mower Deck Height Cam Casting
24	1	445-0002-00	Mower Deck Height Control Knob



**DETAIL C**

Height Indicator (Detail C) Parts List			
ITEM	QTY	PART NUMBER	DESCRIPTION
1	1	431-0005-00	Deck Height Brkt Left Actuator side
2	1	435-0009-00	Mower Deck Height Left Link Arm
3	1	434-0001-00	Deck Gas Spring
4	2	435-0007-00	Mower Deck Link
5	1	413-0006-00	5/16-18 HEX FLANGE NUT W/SERR ZINC
6	2	413-0002-00	1/2-13 NYLON INSERT FLANGE LOCKNUT ZC YELLOW
7	2	410-0009-00	1/2" ID X 3/4" OD X 3/8" LENGTH FLANGE BUSHING
8	2	418-0046-00	7/16-14 X 2 HEX C/S GR 5 ZINC YELLOW
9	4	413-0011-00	7/16-14 HEX FLANGE NUT W/SERR ZINC YELLOW
10	2	418-0047-00	1/2-13 X 1-1/2 HEX FLANGE BOLT ZINC YELLOW
11	2	419-0010-00	.443 ID X .750 OD X .125 THK NYLON BLACK
12	1	418-0042-00	1/2-13 X 3-1/2 HEX C/S GR 5 ZINC YELLOW
13	2	419-0009-00	5/16 SPLIT LOCKWASHER ZINC
14	1	410-0010-00	1/2" ID X 5/8" OD X 1/2" LENGTH FLANGE BUSHING
15	2	434-0007-00	Deck Assist Gas Spring Ball Stud





Battery and Seat Suspension Assembly Parts List			
ITEM	QTY	PART NUMBER	DESCRIPTION
1	1	490-0008-00	Mower SRT Frame Assembly
2	1	439-0008-00	Mower Battery Box
3	1	490-0021-00	Mower Suspension Seat Bracket Assembly
4	2	445-0001-00	Lobed Knob w/ 5/16"-18 X .750" Stud
5	1	486-0017-00	Mower Negative Battery Cable 28" long
6	1	468-1004-00	12-V Mower Starter Battery
7	1	439-0012-00	Mower LED Light Bracket
8	2	418-0033-00	3/8-16 X 2 CARRIAGE BOLT ZINC
9	4	413-0004-00	3/8-16 HEX FLANGE NUT W/SERR ZINC
10	2	418-0034-00	1/4-20 X 7 CARRIAGE BOLT ZINC
11	2	413-0025-00	1/4-20 WING NUT ZINC
12	2	418-0035-00	1/4-20 X 3/4 HEX C/S GR 2 ZINC
13	2	413-0026-00	1/4-20 NYLON INSERT FLANGE L/NUT ZINC
14	2	418-0040-00	3/8-16 X 1 HEX FLANGE BOLT GR 8 ZC YELLOW
15	2	487-0003-00	SRT Rear Suspension Elastomer
16	2	418-0026-00	1/4-20 X 3/4 CARRIAGE BOLT ZINC YELLOW
17	2	472-0002-00	1/2" CUSHIONED LOOP CLAMP
18	3	472-0001-00	1-1/4" CHUSHIONED LOOP CLAMP BLACK
19	4	418-0025-00	1/4-20 X 1/2 HWH SLOT TYPE F TCS ZINC
20	1	443-0001-00	Battery Hold Down
21	1	486-0032-00	Mower LED Light Bar
22	2	413-0027-00	5/16-18 NYLON INSERT FLANGE LOCKNUT ZC YELLOW
23	1	486-0016-00	Mower Positive Battery Cable 25" long

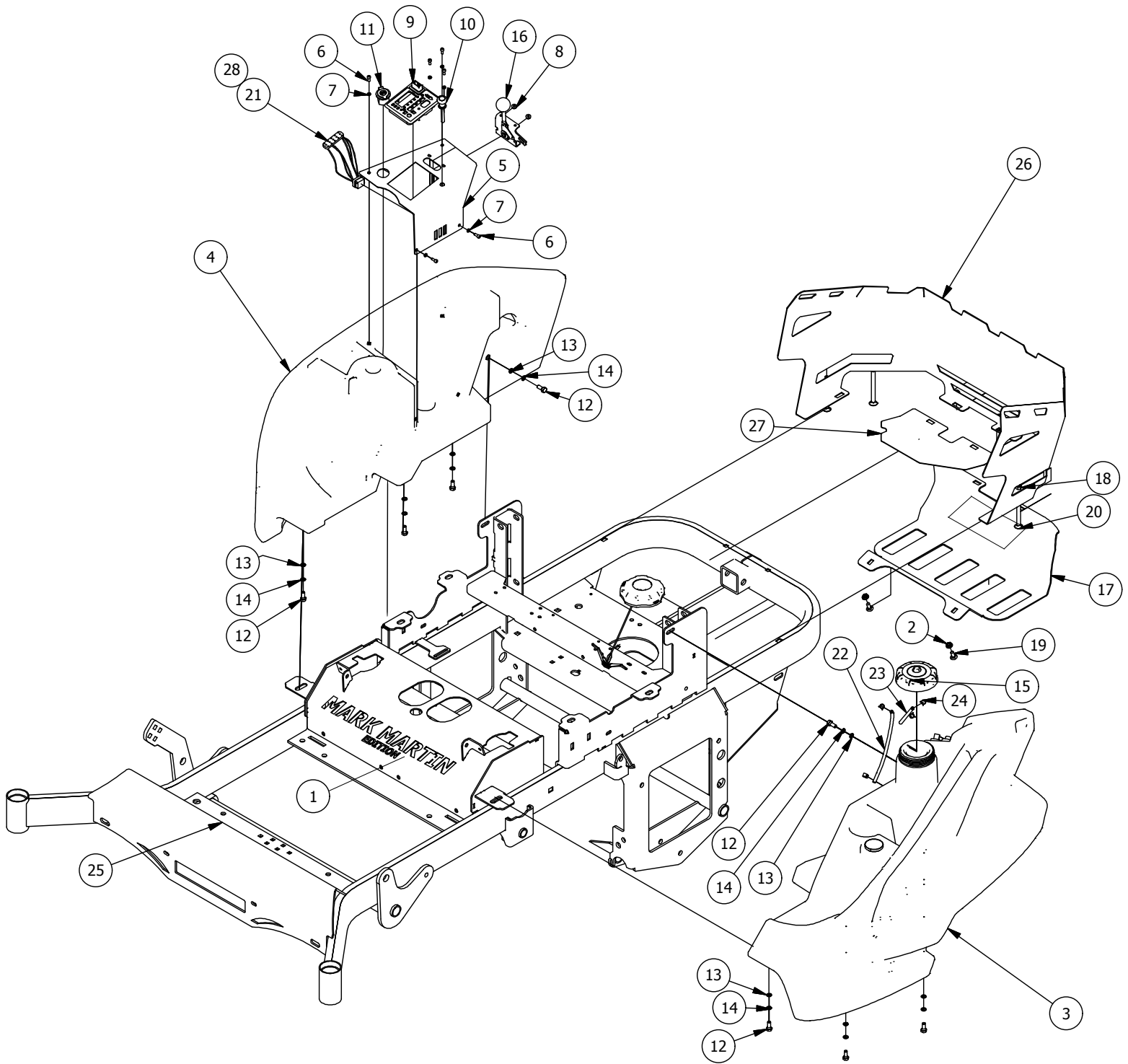


Seat Base Assembly Parts List			
ITEM	QTY	PART NUMBER	DESCRIPTION
1	1	490-0102-00	Mower Seat Base Assembly
2	1	490-0011-00	Mower Seat Latch Release Assembly
3	1	439-0065-00	Mower Seat Latch Hook
4	4	418-0040-00	3/8-16 X 1 HEX FLANGE BOLT GR 8 ZC YELLOW
5	4	413-0004-00	3/8-16 HEX FLANGE NUT W/SERR ZINC
6	2	410-0010-00	1/2" ID X 5/8" OD X 1/2" LENGTH FLANGE BUSHING
7	2	418-0038-00	1/2 X 1/2 SOCKET SHOULDER BOLT ZC YELLOW
8	1	419-0016-00	5/16" ID X 5/8" OD X 1/16" THK BRONZE WASHER
9	1	418-0037-00	3/8 X 3/8 SOCKET SHOULDER BOLT ZC YELLOW
10	1	418-0036-00	5/16-18 X 1-1/4 HEX TAP BOLT ZINC GR8
11	7	413-0019-00	5/16-18 NYLON INSERT FLANGE L/NUT ZINC
12	1	434-0004-00	Seat Latch Spring
13	6	413-0029-00	3/8-16 NYLON INSERT FLANGE L/NUT ZC YELLOW
14	1	471-0002-00	Mower SRT Seat
15	1	471-0003-00	Mower Seat Belt
16	2	618-2097-00	7/16-20 x 1-1/4 GR8 Hex Cap Screw
17	2	413-0054-00	7/16-20 Nylon Insert Locknut
18	1	487-0006-00	Floating Seat Damper-Softer
19	3	418-0107-00	3/8-16 X 2-1/4 HEX FLANGE BOLT GR 8 ZC YELLOW
20	3	419-0022-00	3/8 X 2" OD FENDER WASHER ZC YELLOW
21	6	418-0048-00	5/16-18 X 3/4 HEX FLANGE BOLT GR 8 ZC YELLOW
22	6	413-0022-00	5/16-18 HEX FLANGE NUT W/SERR ZINC YELLOW
23	2	487-0007-00	Floating Seat Damper-Stiffer
24	1	426-0229-00	Floating Seat Plate
25	1	426-0232-00	2019 RT/SRT Floating Seat Base Plate



Drive Arm Parts List			
ITEM	QTY	PART NUMBER	DESCRIPTION
1	1	490-0102-00	Mower Seat Base Assembly
2	1	490-0013-00	Mower Right Drive Arm Bracket Assembly
3	1	490-0012-00	Mower Left Drive Arm Bracket Assembly
4	4	425-0003-00	Mower Drive Arm Spacer
5	2	431-0002-00	Height/Pitch Adjustable Lower Drive Arm
6	2	431-0003-00	Height/Pitch Adjustable Upper Drive Arm
7	2	431-0001-00	Height Adjustable Drive Arm
8	2	403-0020-00	Mower Drive Handle Tube
9	2	445-0001-00	Lobed Knob w/ 5/16"-18 X .750" Stud
10	1	426-0002-00	Mower Left Control Arm Limit Switch Plate
13	2	418-0049-00	5/16-18 X 3/4 IND HWH TRI LOB ZINC
14	6	413-0022-00	5/16-18 HEX FLANGE NUT W/SERR ZINC YELLOW
11	2	418-0050-00	1/2-13 X 3 HEX C/S GR 5 ZINC
12	6	418-0051-00	3/8-16 X 1-3/4 HEX C/S GR 2 ZINC
13	6	413-0013-00	3/8-16 NYLON INSERT FLANGE LOCKNUT ZINC
14	4	418-0048-00	5/16-18 X 3/4 HEX FLANGE BOLT GR 8 ZC YELLOW
15	4	419-0015-00	3/8" ID X 3/4" OD X 1/8" THK BRONZE WASHER
16	4	410-0005-00	5/8" ID X 1-3/8" OD X 7/16" THK BEARING
17	2	425-0004-00	Mower Drive Arm Hub & Deck Lift Arm Spacer
18	1	419-0008-00	3/4" ID X FOR 1-3/16" HOLE FOR 11 GA RUBBER GROMMIT
19	2	471-0004-00	Mower Drive Arm Support Pad
20	2	439-0010-00	Mower Drive Arm Pad Tube Mounting bracket
21	4	418-0063-00	5/16-18 X 3/4 CARRIAGE BOLT ZINC YELLOW
22	4	418-0056-00	1/4-20 X 1/2 HEX C/S GR 2 ZINC
23	4	419-0012-00	1/4 EXT TOOTH LOCKWASHER ZINC
24	4	418-0032-00	8-32 X 1/2 IND. HWH SLOT TYPE F TCS ZINC
25	2	486-0030-00	Safety Switch
26	2	484-0001-00	Handle Grip
27	2	487-0001-00	Control Arm Damper
28	4	413-0024-00	5/16-18 HEX SERRATED LARGE FLANGE L/NUT ZC
29	4	487-0005-00	Control Arm Damper Ball Stud
30	4	410-0011-00	.375 ID X .750 OD X .062 THK THRUST BEARING OIL-IMPREG BRNZ

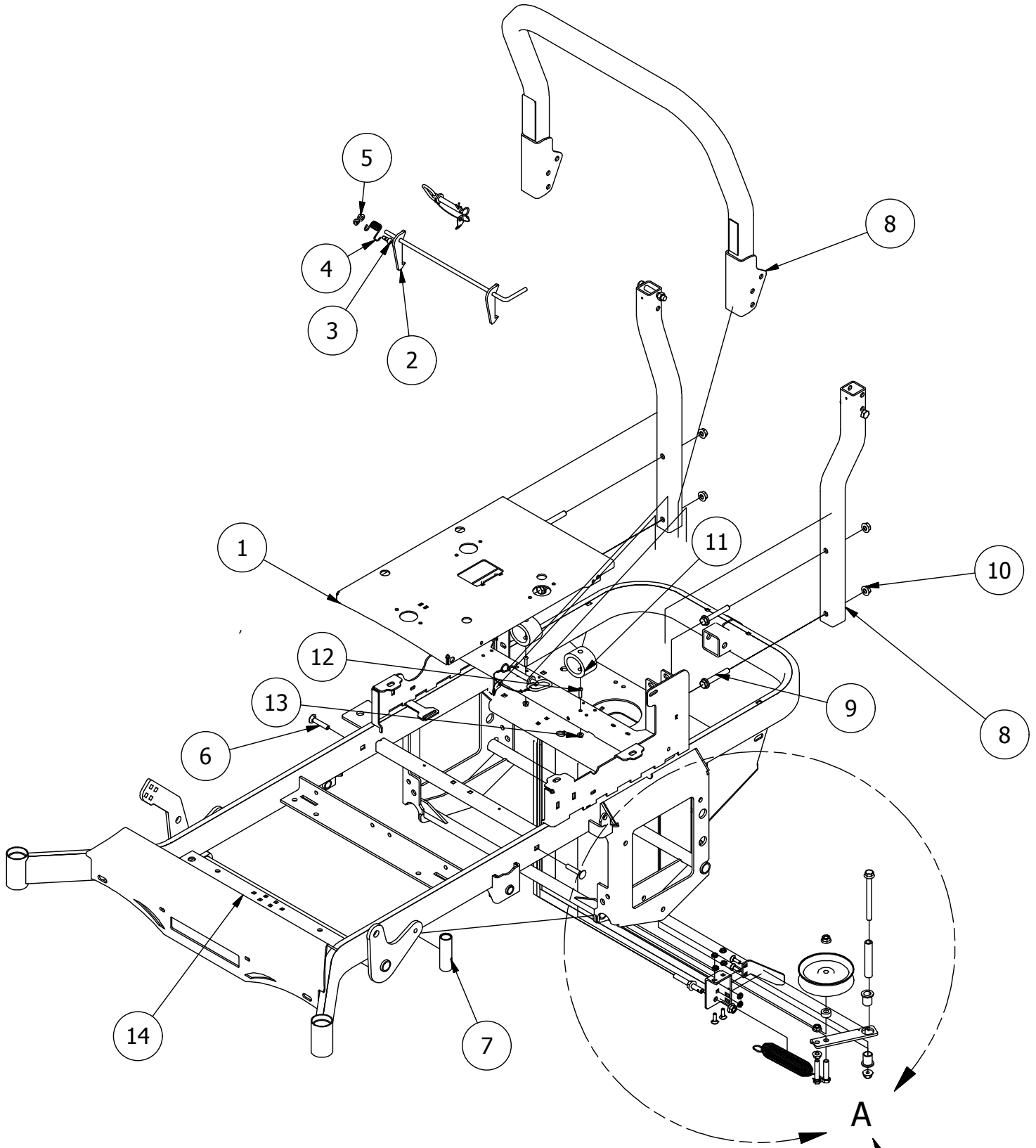
# Gas Tank Assembly



Gas Tank Assembly Parts List			
ITEM	QTY	PART NUMBER	DESCRIPTION
1	1	490-0102-00	Mark Martin Mower Seat Base Assembly
2	2	413-0006-00	5/16-18 HEX FLANGE NUT W/SERR ZINC
3	1	467-0001-00	Gas Tank
4	1	467-0002-00	Console
5	1	439-0022-00	Mower Control Panel Bracket
6	6	418-0055-00	10-24 X 1/2 SOCKET C/S 18-8 SS
7	6	419-0011-00	#10 SPLIT LOCKWASHER 18-8 SS
8	2	413-0008-00	10-24 NYLON INSERT LOCKNUT 18-8 SS
9	1	486-0004-00	Mower Control Console, Carbureted Engine
10	1	464-0002-00	Choke Cable
11	1	677-2075-00	12 Volt Auxilliary Plug
12	8	418-0054-00	5/16-18 X 3/4 HEX C/S ZINC
13	8	419-0007-00	1/2 USS FLAT WASHER ZINC
14	8	419-0009-00	5/16 SPLIT LOCKWASHER ZINC
15	1	467-0008-00	Tank Fill Neck Non-Venting Cap
16	1	464-0001-00	Mower Throttle Cable Assembly w / Handle
17	2	439-0013-00	Mower Muffler Guard Dual Exhaust tips
18	4	413-0013-00	3/8-16 NYLON INSERT FLANGE LOCKNUT ZINC
19	2	418-0008-00	5/16-18 X 3/4 CARRIAGE BOLT ZINC
20	4	418-0018-00	3/8-16 X 4 CARRIAGE BOLT ZINC
21	1	486-0011-00	Briggs and Stratton Wiring Harness
22	1	751-1014-00	1/4 Fuel Line - Low Perm
23	1	451-0002-00	vapor vent line tube
24	4	472-0003-00	1/4 Spring Hose Clamp
25	1	490-0008-00	Mower SRT Frame Assembly
26	1	439-0064-00	Mower Engine Cowling
27	1	439-0006-00	Mower Muffler Guard
28	1	486-0013-00	Kohler Wiring Harness

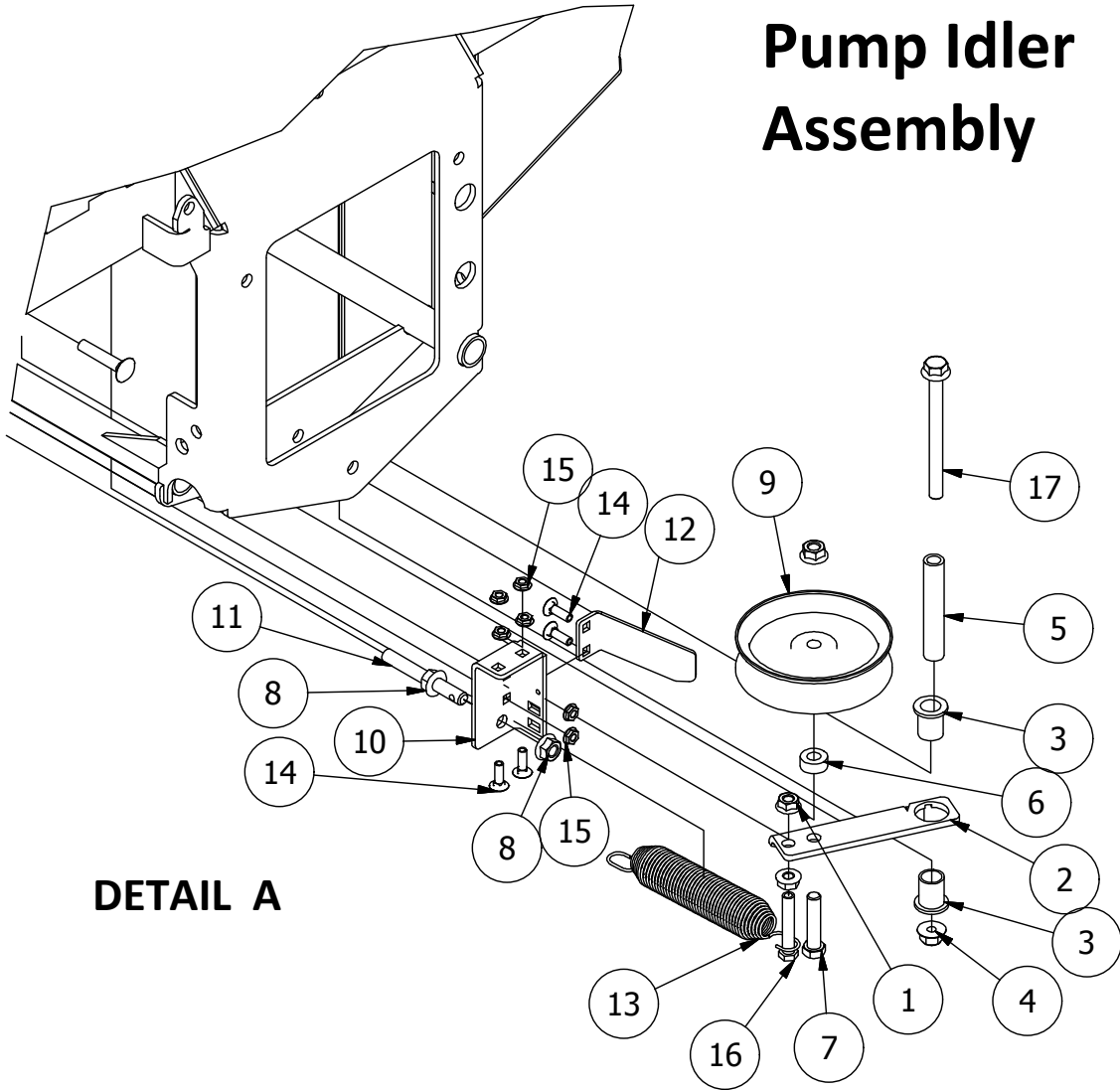


# ROPS and Pump Idler Assembly



ROPS Assembly Parts List			
ITEM	QTY	PART NUMBER	DESCRIPTION
1	1	426-0228-00	RT and SRT Floating Seat Base Plate
2	1	490-0011-00	Mower Seat Latch Release Assembly
3	1	418-0037-00	3/8 X 3/8 SOCKET SHOULDER BOLT ZC YELLOW
4	1	434-0004-00	Seat Latch Spring
5	6	413-0029-00	3/8-16 NYLON INSERT FLANGE L/NUT ZC YELLOW
6	2	418-0041-00	7/16-14 X 2-1/4 CARRIAGE BOLT ZINC
7	1	490-0018-00	Mower Pump Idler Pulley Arm Assembly
8	1	497-0002-00	Fold down ROPS
9	4	418-0019-00	1/2-13 X 3-1/2 HEX FLANGE BOLT (GR.8) ZC/YEL
10	4	413-0014-00	1/2-13 HEX STOVER LOCKNUT GR C ZINC
11	2	487-0004-00	Seat Suspension Elastomer GBR-7
12	2	418-0039-00	1/4-20 X 1 BUTTON SOCKET C/S
13	2	413-0026-00	1/4-20 NYLON INSERT FLANGE L/NUT ZINC
14	1	490-0008-00	Mower SRT Frame Assembly

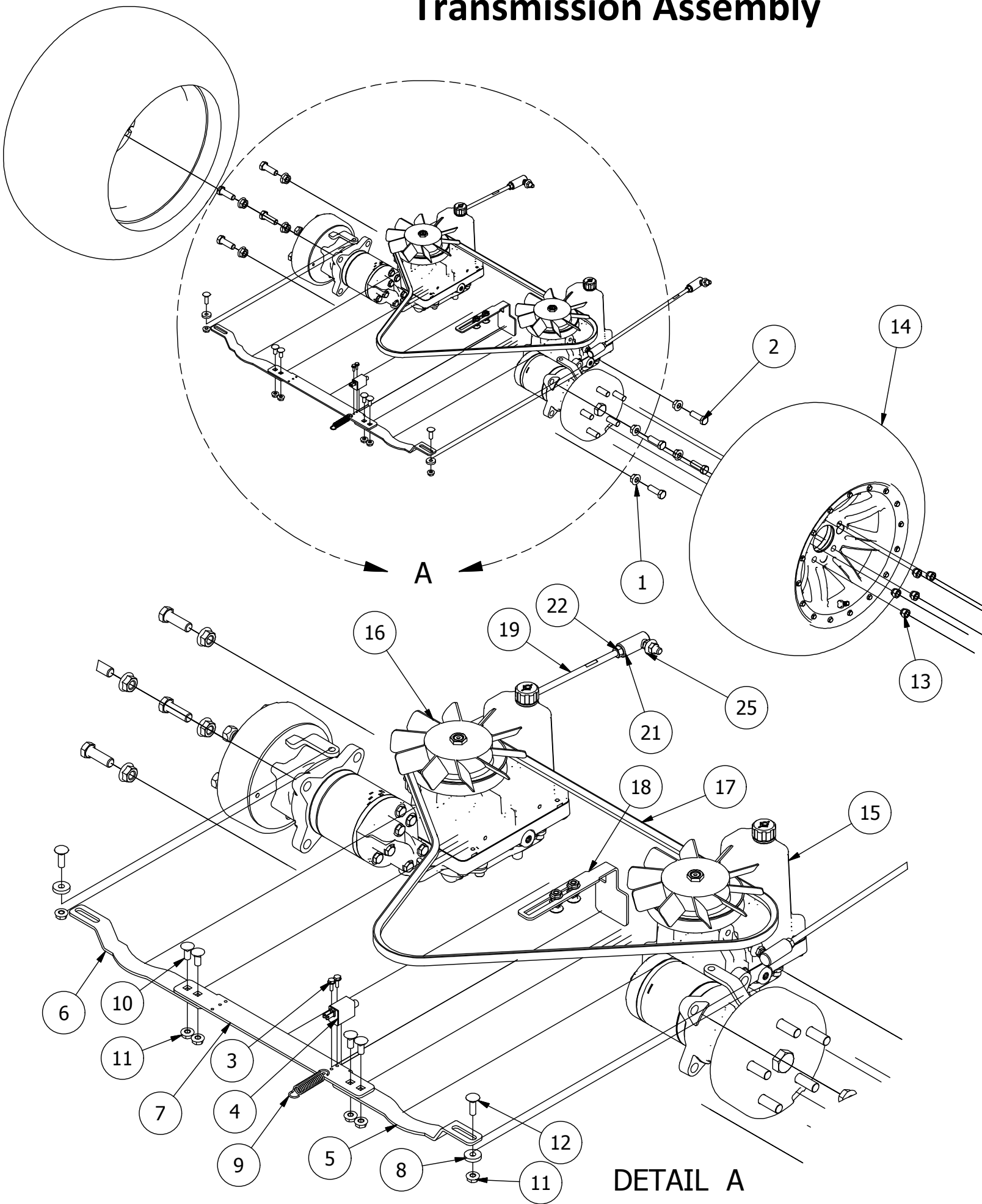
# Pump Idler Assembly



**DETAIL A**

Pump Idler Assembly Parts List			
ITEM	QTY	PART NUMBER	DESCRIPTION
1	4	413-0001-00	7/16-14 HEX FLANGE NUT W/SERR ZINC
2	1	490-0018-00	Mower Pump Idler Pulley Arm Assembly
3	2	410-0007-00	3/4" ID X 15/16" OD X 1-1/8" LENGTH FLANGE BUSHING
4	1	413-0002-00	1/2-13 NYLON INSERT FLANGE LOCKNUT ZC YELLOW
5	1	425-0006-00	Mower Inner Idler Spacer
6	1	425-0007-00	Mower IDLER PULLEY SPACER
7	1	418-0012-00	1/2-13 X 2-1/4 HEX C/S GR 5 ZINC
8	3	413-0010-00	1/2-13 HEX FLANGE NUT W/SERR ZINC
9	1	433-0006-00	Mower 5-3/4" Idler Pulley
10	1	439-0244-00	Deck Idler Puller Tensioning Bracket
11	1	430-0001-00	Mower Pump Spring Tensioner
12	1	439-0132-00	RT/SRT Clutch Anti-rotation Brkt
13	1	434-0005-00	Deck/pump idler spring
14	4	418-0010-00	5/16-18 X 1 CARRIAGE BOLT ZINC
15	6	413-0006-00	5/16-18 HEX FLANGE NUT W/SERR ZINC
16	1	418-0013-00	7/16-14 X 2-1/2 HEX C/S GR 5 ZINC
17	1	418-0009-00	1/2-13 X 5-1/2 HEX FLANGE BOLT GR 8 ZY

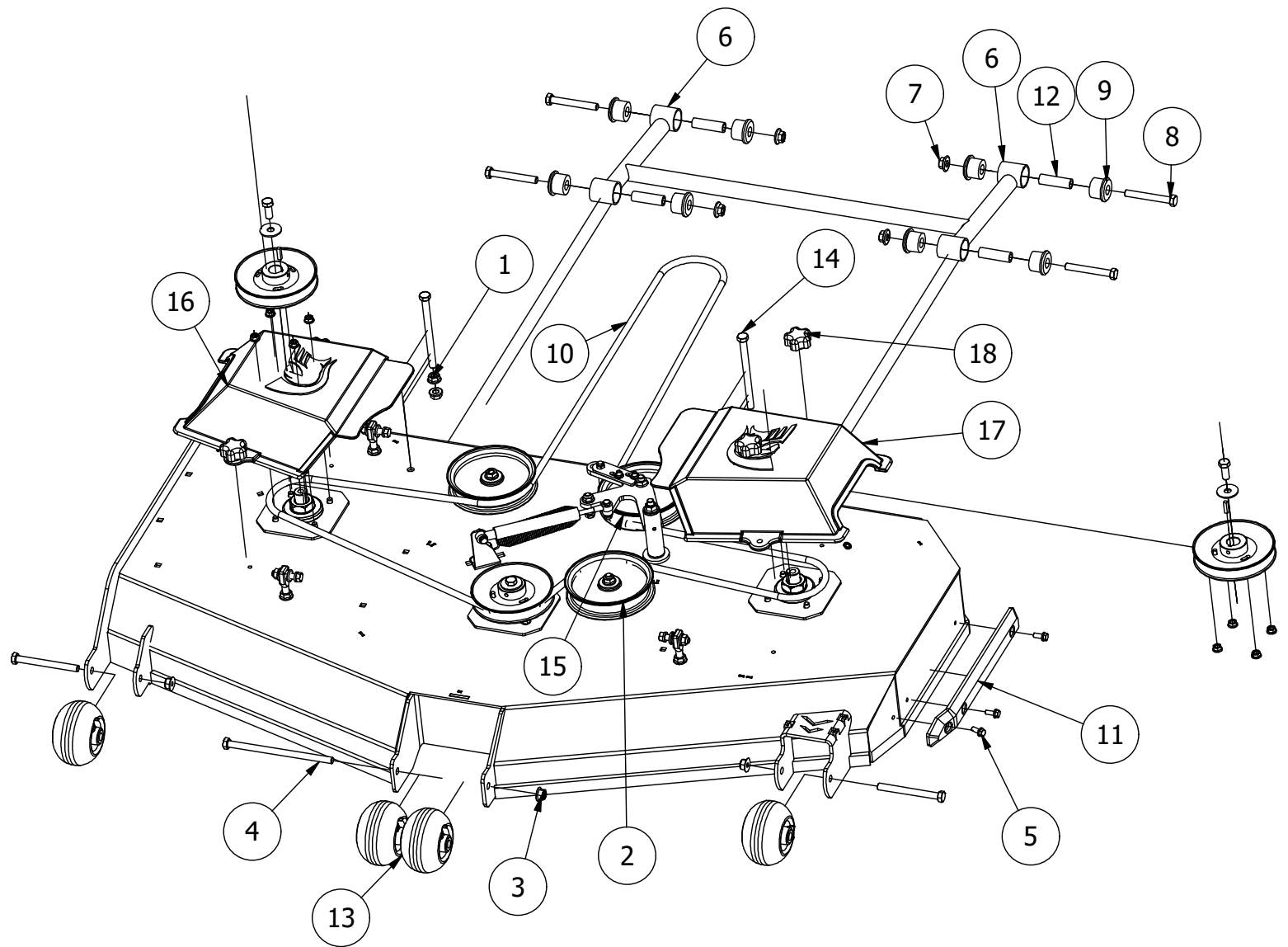
# Transmission Assembly



DETAIL A

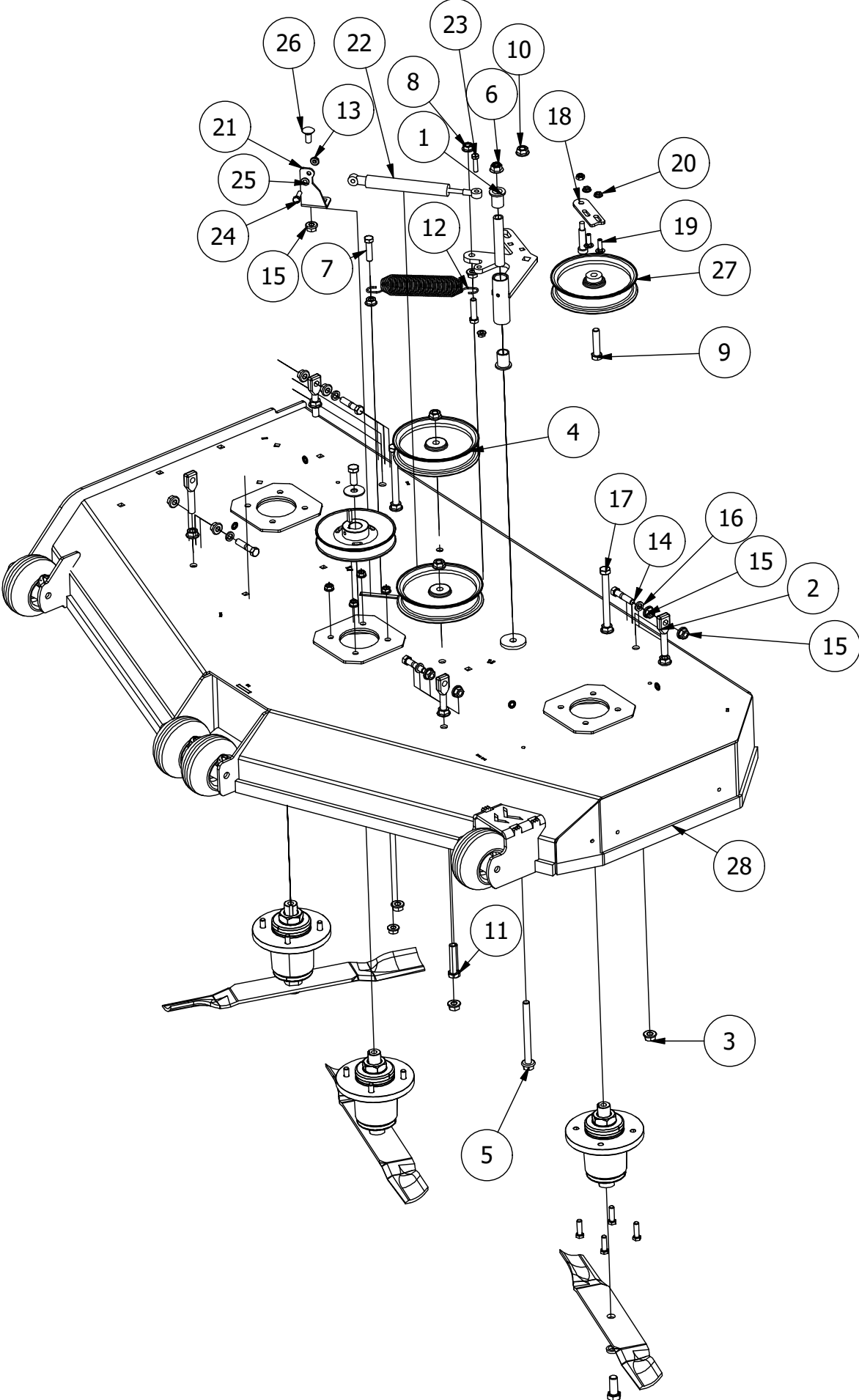
Transmission Assembly Parts List			
ITEM	QTY	PART NUMBER	DESCRIPTION
1	8	413-0010-00	1/2-13 HEX FLANGE NUT W/SERR ZINC
2	8	418-0020-00	1/2-13 X 1-1/2 HEX C/S GR 5 ZINC
3	2	418-0032-00	8-32 X 1/2 IND. HWH SLOT TYPE F TCS ZINC
4	1	486-0030-00	Safety Switch
5	1	439-0083-00	Mower Park Brake Right Actuation Bracket
6	1	439-0082-00	Mower Park Brake Left Actuation
7	1	439-0079-00	Mower Park Brake Center Bracket
8	2	419-0006-00	.312 ID X .875 OD X .1875 THK F/W NYLON BLK
9	1	434-0003-00	Brake Pedal Release Spring
10	4	418-0008-00	5/16-18 X 3/4 CARRIAGE BOLT ZINC
11	6	413-0019-00	5/16-18 NYLON INSERT FLANGE L/NUT ZINC
12	4	418-0010-00	5/16-18 X 1 CARRIAGE BOLT ZINC
13	10	413-0015-00	1/2-20 WHEEL NUT 60 DEGREE GR 5 ZINC
14	2	422-0005-00	Mower 24x14x12 Rear Tire/Wheel Assembly
15	1	450-0006-00 450-0016-00	HTJ12 Parker Right Side Hydrostatic Transmission (HD) HTG16 Parker Right Side Transmission w Control Orifice
16	1	450-0005-00 450-0015-00	HTJ12 Parker Left Side Hydrostatic Transmission (HD) HTG16 Parker Left Side Transmission w/ Control Orifice
17	1	461-0004-00	Mower A Pump Belt, A x 68.25" Effective Length
18	1	439-0066-00	Mower Standard Transmission Brake Interlock Bracket
19	2	435-0002-00	Transmission Drive Arm Rod Standard Transmission
20	2	410-0001-00	Control Arm Rod End, Right
21	2	410-0002-00	Control Arm Rod End, Left
22	2	413-0003-00	5/16 Hex Nut Left hand thread

# 61" Deck Assembly 1



PARTS LIST			
ITEM	QTY	PART NUMBER	DESCRIPTION
1	12	413-0005-00	1/2-13 HEX FLANGE NUT W/SERR ZINC YELLOW
2	2	433-0015-00	6-3/4" Idler Pulley, 15/16" Spacer Assembly
3	4	413-0002-00	1/2-13 NYLON INSERT FLANGE LOCKNUT ZC YELLOW
4	1	418-0015-00	1/2-13 X 8-1/2 HEX C/S GR 2 ZINC YELLOW
5	3	418-0049-00	5/16-18 X 3/4 IND HWH TRI LOB ZINC
6	1	490-0014-00	Mower 54"/61" Deck Frame Stabilizer Assembly
7	4	413-0017-00	1/2-13 NYLON INSERT FLANGE LOCKNUT ZINC W/SERRATIONS
8	4	418-0021-00	1/2-13 X 3-3/4 HEX C/S GR 5 ZINC
9	8	732-2000-00	Large MTV A-Arm Bushing
10	1	461-0002-00	61" Mower Deck Belt, HB x 167.9" Effective Length
11	1	429-0001-00	Mower Nylon Deck Guard
12	4	732-2001-00	Large MTV A-Arm Bushing Sleeve
13	4	422-0001-00	Anti-Scalp Wheel
14	2	418-0044-00	1/2-13 X 6-1/2 HEX C/S GR 8 ZINC YELLOW
15	1	433-0014-00	6-3/4" Idler Pulley, 15/16" Spacer Assembly
16	1	414-0020-00	Right Pulley Cover 61" RZ/RT/SRT, 72" RT/SRT
17	1	414-0021-00	Left Pulley Cover 61" RZ/RT/SRT, 72" RT/SRT
18	4	445-0003-00	Lobed Knob w/ 5/16"-18 insert

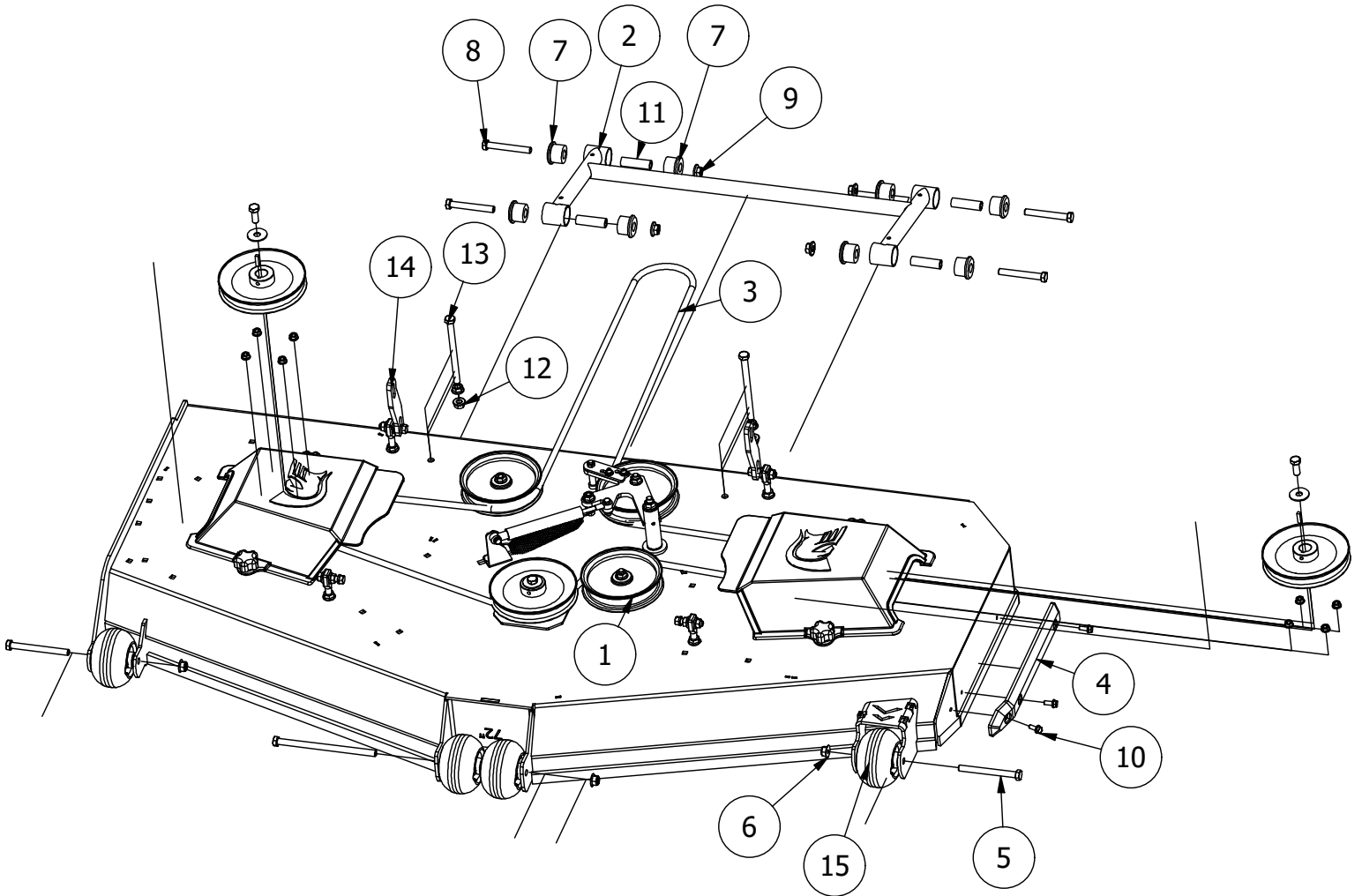
# 61" Deck Assembly 2





PARTS LIST			
ITEM	QTY	PART NUMBER	DESCRIPTION
1	2	410-0007-00	3/4" ID X 15/16" OD X 1-1/8" LENGTH FLANGE BUSHING
2	4	448-0001-00	Mowre Deck height adjustment Stud
3	12	413-0005-00	1/2-13 HEX FLANGE NUT W/SERR ZINC YELLOW
4	2	433-0015-00	6-3/4" Idler Pulley, 15/16" Spacer Assembly
5	1	418-0009-00	1/2-13 X 5-1/2 HEX FLANGE BOLT GR 8 ZY
6	4	413-0002-00	1/2-13 NYLON INSERT FLANGE LOCKNUT ZC YELLOW
7	2	418-0011-00	7/16-14 X 1-3/4 HEX C/S GR 2 ZINC (NOT A/T)
8	4	413-0001-00	7/16-14 HEX FLANGE NUT W/SERR ZINC
9	1	418-0012-00	1/2-13 X 2-1/4 HEX C/S GR 5 ZINC
10	3	413-0010-00	1/2-13 HEX FLANGE NUT W/SERR ZINC
11	2	418-0014-00	1/2-13 X 2-1/2 HEX FLANGE BOLT GR 8 ZC YELLOW
12	1	434-0005-00	Deck/pump idler spring
13	2	413-0027-00	5/16-18 NYLON INSERT FLANGE LOCKNUT ZC YELLOW
14	4	418-0046-00	7/16-14 X 2 HEX C/S GR 5 ZINC YELLOW
15	9	413-0011-00	7/16-14 HEX FLANGE NUT W/SERR ZINC YELLOW
16	4	419-0010-00	.443 ID X .750 OD X .125 THK NYLON BLACK
17	2	418-0044-00	1/2-13 X 6-1/2 HEX C/S GR 8 ZINC YELLOW
18	1	439-0257-00	Deck Idler Pulley Belt Retainer Brkt
19	2	418-0010-00	5/16-18 X 1 CARRIAGE BOLT ZC/YEL
20	2	413-0006-00	5/16-18 HEX FLANGE NUT W/SERR ZINC
21	1	439-0335-00	Deck Belt Idler Damper Mounting Bracket
22	1	434-0009-00	Idler Gas Spring
23	1	418-0109-00	5/16- 18 x 1 1/4 Hex C/S (GR.8) ZC/Yel
24	1	418-0108-00	5/16 x1 Hex C/S (GR8) ZC/Yel
25	1	419-0016-00	5/16" ID X 5/8" OD X 1/16" THK BRONZE WASHER
26	1	418-0017-00	7/16-14 X 1 CARRIAGE BOLT ZINC
27	1	433-0014-00	6-3/4" Idler Pulley, 15/16" Spacer Assembly
28	1	490-0061-00	2020 61 RT/SRT Deck assembly

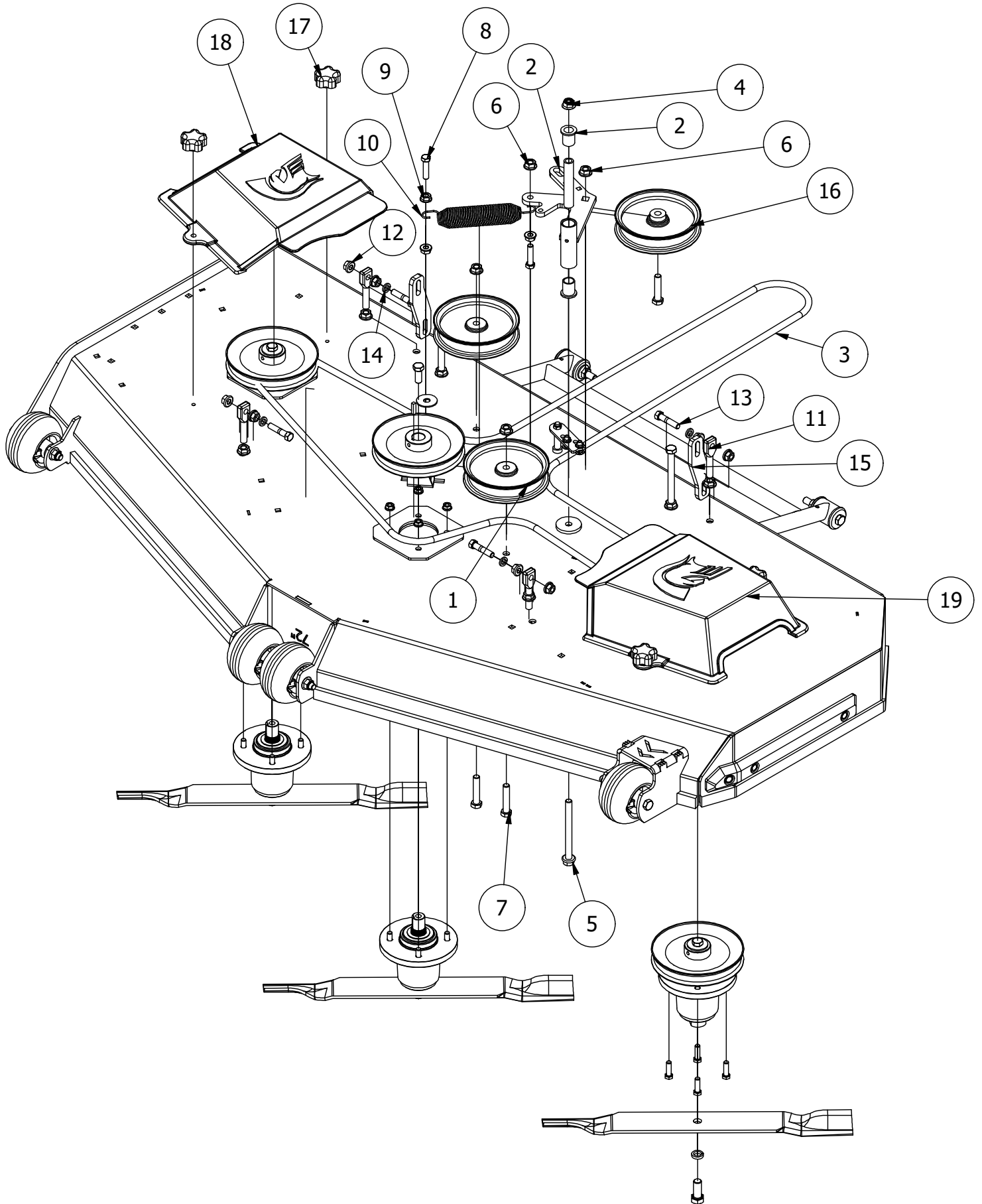
# 72" Deck Assembly 1



PARTS LIST

ITEM	QTY	PART NUMBER	DESCRIPTION
1	2	433-0015-00	6-3/4" Idler Pulley, 15/16" Spacer Assembly
2	1	490-0015-00	Mower 72" Deck Frame Stabilizer Assembly
3	1	461-0003-00	72" Mower Deck Belt, HB x 186.5" Effective Length
4	1	429-0001-00	Mower Nylon Deck Guard
5	2	418-0016-00	1/2-13 X 5 HEX C/S GR 2 ZINC YELLOW
6	4	413-0002-00	1/2-13 NYLON INSERT FLANGE LOCKNUT ZC YELLOW
7	8	732-2000-00	Large MTV A-Arm Bushing
8	4	418-0021-00	1/2-13 X 3-3/4 HEX C/S GR 5 ZINC
9	4	413-0017-00	1/2-13 NYLON INSERT FLANGE LOCKNUT ZINC W/SERRATIONS
10	3	418-0049-00	5/16-18 X 3/4 IND HWH TRI LOB ZINC
11	4	732-2001-00	Large MTV A-Arm Bushing Sleeve
12	12	413-0005-00	1/2-13 HEX FLANGE NUT W/SERR ZINC YELLOW
13	2	418-0044-00	1/2-13 X 6-1/2 HEX C/S GR 8 ZINC YELLOW
14	2	435-0011-00	Mower 72" Deck Rear Height Arm Connecting Link
15	4	422-0001-00	Anti-Scalp Wheel

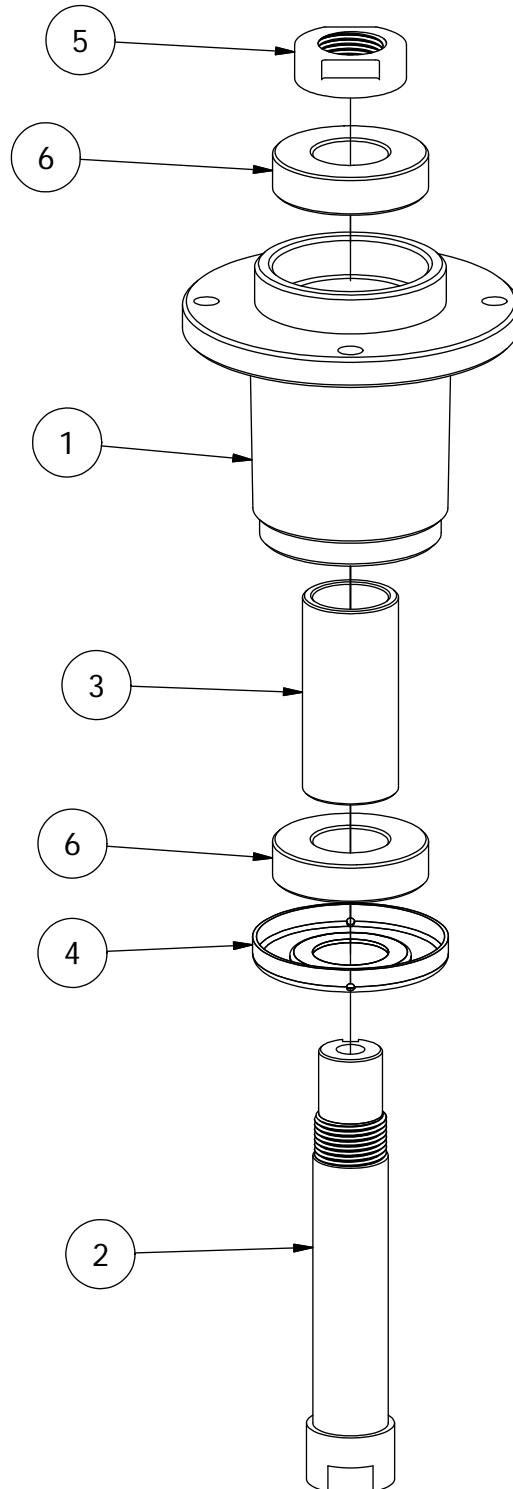
# 72" Deck Assembly 2



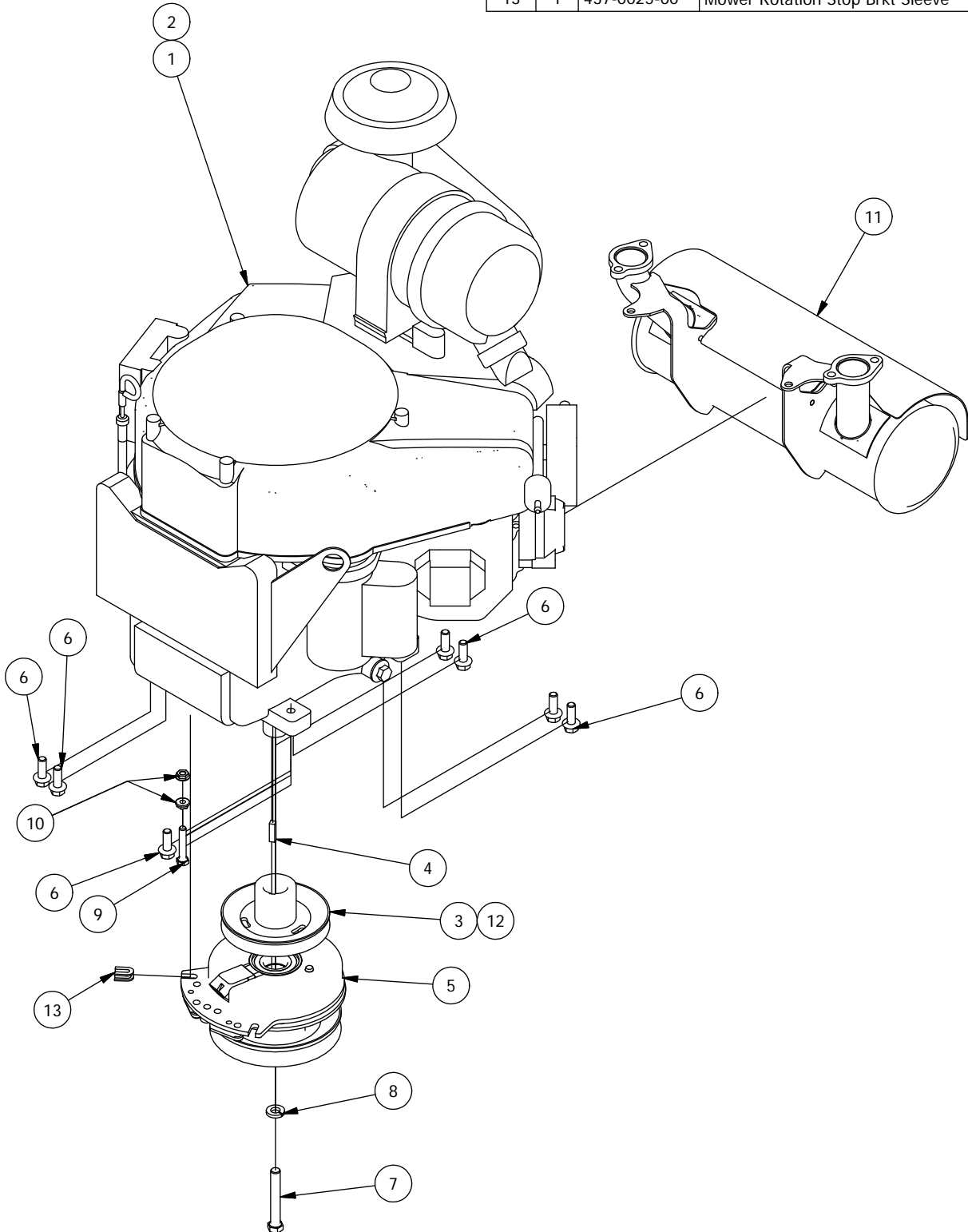
PARTS LIST			
ITEM	QTY	PART NUMBER	DESCRIPTION
1	2	433-0015-00	6-3/4" Idler Pulley, 15/16" Spacer Assembly
2	1	490-0019-00	Mower Deck Idler Pulley Arm Assembly
3	1	461-0003-00	72" Mower Deck Belt, HB x 186.5" Effective Length
4	4	413-0002-00	1/2-13 NYLON INSERT FLANGE LOCKNUT ZC YELLOW
5	1	418-0009-00	1/2-13 X 5-1/2 HEX FLANGE BOLT GR 8 ZY
6	4	413-0010-00	1/2-13 HEX FLANGE NUT W/SERR ZINC
7	2	418-0014-00	1/2-13 X 2-1/2 HEX FLANGE BOLT GR 8 ZC YELLOW
8	2	418-0011-00	7/16-14 X 1-3/4 HEX C/S GR 2 ZINC (NOT A/T)
9	3	413-0001-00	7/16-14 HEX FLANGE NUT W/SERR ZINC
10	1	434-0005-00	Deck/pump idler spring
11	4	448-0001-00	Mowre Deck height adjustment Stud
12	9	413-0011-00	7/16-14 HEX FLANGE NUT W/SERR ZINC YELLOW
13	4	418-0046-00	7/16-14 X 2 HEX C/S GR 5 ZINC YELLOW
14	4	419-0010-00	.443 ID X .750 OD X .125 THK NYLON BLACK
15	2	435-0011-00	Mower 72" Deck Rear Height Arm Connecting Link
16	1	433-0014-00	6-3/4" Idler Pulley, 15/16" Spacer Assembly
17	4	445-0003-00	Lobed Knob w/ 5/16"-18 insert
18	1	414-0020-00	Right Pulley Cover 61" RZ/RT/SRT, 72" RT/SRT
19	1	414-0021-00	Left Pulley Cover 61" RZ/RT/SRT, 72" RT/SRT

(2 Bearing) Deck Spindle Assembly Parts List

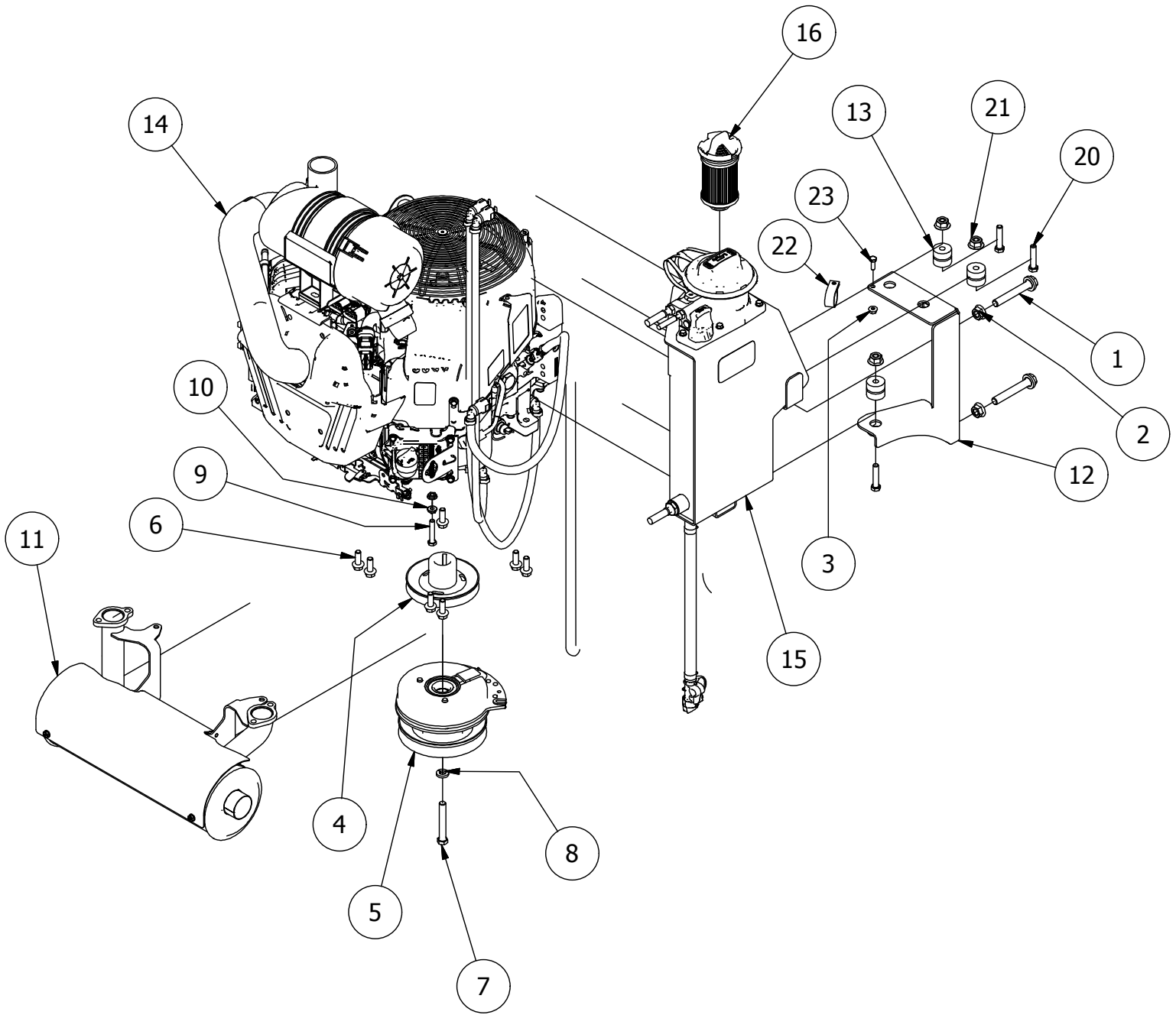
ITEM	QTY	PART NUMBER	DESCRIPTION
1	1	437-0015-00	Mower Deck Spindle Casting for 437-0004-00
2	1	437-0010-00	Deck Spindle Shaft For 437-0004-00 and 437-0005-00
3	1	437-0011-00	Deck Spindle Spacer for 437-0004-00
4	1	437-0014-00	Mower Deck Spindle Dust Cup
5	1	437-0013-00	Mower Deck Spindle Nut for 437-0004-00 and 437-0005-00
6	2	410-0003-00	Spindle Bearing



36HP Vanguard Series Engine			
ITEM	QTY	PART NUMBER	DESCRIPTION
1	1	415-0012-00	37 HP Vanguard Series Engine
2	1	415-0008-00	32 HP Vanguard Series Engine
3	1	433-0001-00	Drive Pulley, A Belt
4	1	442-0001-00	1/4 X 1 SQUARE KEY STOCK
5	1	470-0002-00	PTO Clutch
6	7	418-0023-00	3/8-16 X 1-1/8 IND HWH W/SERR TRI LOB ZY
7	1	418-0022-00	7/16-20 X 3 HEX C/S GR 8 ZC YELLOW
8	1	419-0005-00	7/16 SPLIT LOCKWASHER GR 8 ZC YELLOW
9	1	418-0024-00	5/16-18 X 1-3/4 HEX C/S GR 5 ZINC
10	2	413-0006-00	5/16-18 HEX FLANGE NUT W/SERR ZINC
11	1	415-0051-00	B&S 32 HP/36HP Vanguard Series Engine Exhaust
12	1	433-0002-00	Drive Pulley, B Belt (Only with HTG16 Transmissions)
13	1	437-0025-00	Mower Rotation Stop Brkt Sleeve



# 37 HP Vanguard Engine with Oil Guard Assembly





**37 HP Vanguard Engine with Oil Guard Assembly**

ITEM	QTY	PART NUMBER	DESCRIPTION
1	2	418-0019-00	1/2-13 X 3-1/2 HEX FLANGE BOLT (GR.8) ZC/YEL
2	2	413-0014-00	1/2-13 HEX STOVER LOCKNUT GR C ZINC
3	1	413-0026-00	1/4-20 NYLON INSERT FLANGE L/NUT ZINC
4	1	433-0001-00	Drive Pulley, A Belt
5	1	470-0002-00	PTO Clutch
6	7	418-0023-00	3/8-16 X 1-1/8 IND HWH W/SERR TRI LOB ZY
7	1	418-0022-00	7/16-20 X 3 HEX C/S GR 8 ZC YELLOW
8	1	419-0005-00	7/16 SPLIT LOCKWASHER GR 8 ZC YELLOW
9	1	418-0024-00	5/16-18 X 1-3/4 HEX C/S GR 5 ZINC
10	2	413-0006-00	5/16-18 HEX FLANGE NUT W/SERR ZINC
11	1	415-0051-00	B&S 32 HP/36HP Vanguard Series Engine Exhaust
12	1	439-0199-00	Mower Oil Guard Tank Bracket
13	3	429-0005-00	Oil Guard Isolator
14	1	415-0016-00	Vanguard 37EFI with oil guard
15	1	415-0017-00	Vanguard 37 EFI Oil Guard Tank
16	1	415-0079-00	Oil Filter
20	3	418-0051-00	3/8-16 X 1-3/4 HEX C/S GR 2 ZINC
21	3	413-0013-00	3/8-16 NYLON INSERT FLANGE L/NUT ZC
22	1	472-0002-00	1/2" CUSHIONED LOOP CLAMP
23	1	418-0035-00	1/4-20 X 3/4 HEX C/S GR 2 ZINC

491-0001-00

Spartan Logo/Warning Label Cluster



491-0003-00

Belt Routing Decal Cluster



491-0026-00

SRT-XD 993CC61" Model Decal



491-0036-00

Spartan Front Decal



491-0027-00

SRT-XD 993CC72" Model Decal



491-0036-00

Spartan Back Decal



491-0002-00

Spartan Step



491-0028-00

SRT-XD EFI993CC61" Model Decal



491-0039-00

Scale Decal



491-0029-00

SRT-XD EFI824CC61" Model Decal



491-0032-00

Spartan XTF-72 Decal



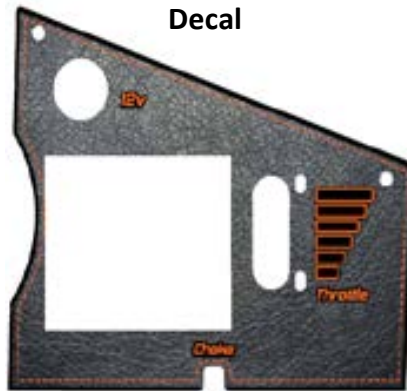
491-0031-00

Spartan XTF-61 Decal



491-0004-00

Spartan Carbureted Console Decal



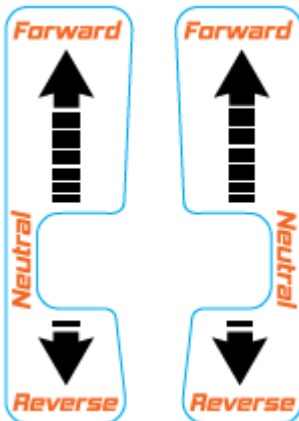
491-0004-00

Spartan EFI Console Decal



491-0033-00

Spartan Drive Arm



491-0034-00

Fuel Tank Decals



491-0034-00

491-0019-00

Spartan SRT-HD 747CC61" Model Decal



491-0020-00

Spartan SRT-HD 896CC54" Model Decal



491-0021-00

Spartan SRT-HD 896CC61" Model Decal



491-0022-00

Spartan SRT-HD 896CC72" Model Decal



491-0023-00

Spartan SRT-HD EF1824CC54" Model Decal



491-0024-00

Spartan SRT-HD EF1824CC61" Model Decal



491-0025-00

Spartan SRT-HD EF1824CC72" Model Decal

